

L4 Grasshopper



Piper developed the J3 Cub into a military version that would see service in WWII. Designated as the L4 Grasshopper it quickly became a popular sight in the skies over the battlefields. Many were used to transport military leaders from front to front. Other duties included medical evacuation, spotting, and some L4 were even equipped with rockets! Grasshoppers were painted in the olive drab colour and given a greenhouse type of cockpit, but otherwise the L4 was the same as its civilian version.

The markings includes in this kit are for Rosie The Rocketeer, piloted by Charles Carpenter. This L4 Grasshopper was equipped with six rocket launchers. He would be officially credited with destroying six tanks.

L4 Grasshopper General Specifications

Length	22' 5"
Wingspan	35' 3"
Power	Several engines used ranging from 40-90HP Continental A series, Franklin 4AC, Lycoming O-145
Performance	Maximum Speed 87mph
Armament	6 M6A3 heat rockets

Piper L4 Grasshopper

Featuring the marking of
Rosie the Rocketeer



Wooden Semi Scale Model Kit

Easy build sandwich construction

No special tools required

PAINT NOT INCLUDED

FOR AGES 8 AND UP
SKILL LEVEL 1
Contains One Model Kit


OSBORN MODEL KITS
www.osbornmodelkits.com




6033

Building tips:

All parts will be a tight fit. If you find a part is too tight give it a bit of a sanding with 220 grit sandpaper. **DO NOT FORCE PARTS.** A hobby knife is suggested to cut the pieces from the part tree but most parts will break free easily. We recommend removing the burnt edge left by the laser with 220 grit sandpaper. This makes it easier for painting also it makes for a better appearance, especially if you are going to leave the model in it's natural wood state. Although the model is designed to be assembled without glue, we do suggest glueing your model together. Noting indicated parts that are not to be glued. Any black substance that gets on your hands is non toxic and can be removed with soap and water

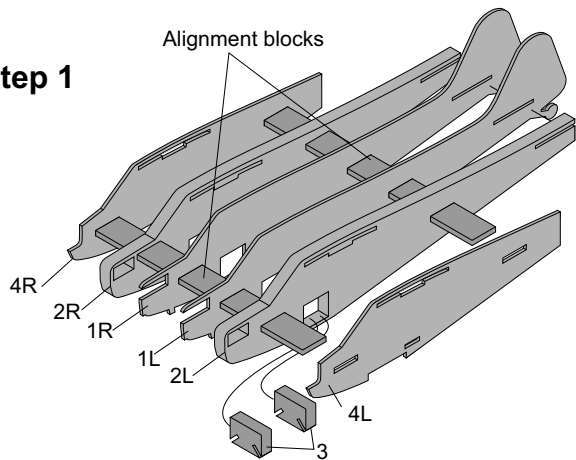
 Indicates do not glue part or assembly

 Indicates part is a friction fit in order to hold in place

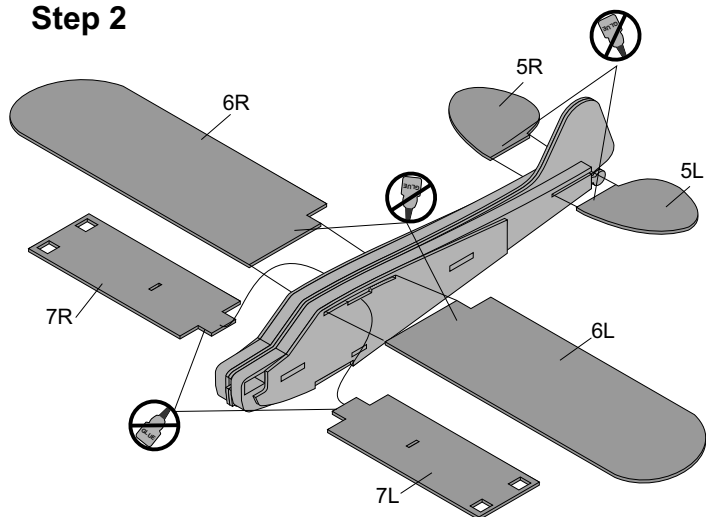
Recommended Tools:

Hobby Knife, Scissors, White Glue, 220 grit sandpaper

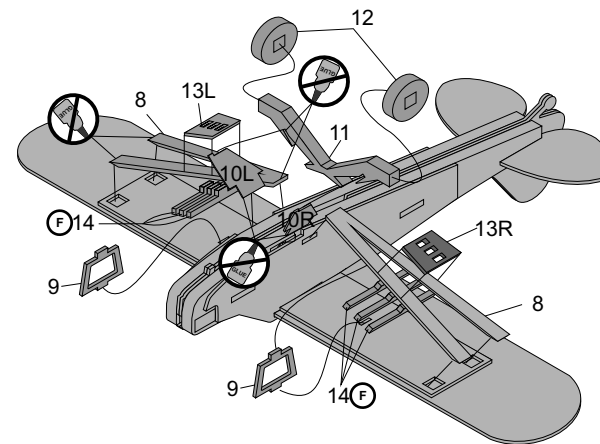
Step 1



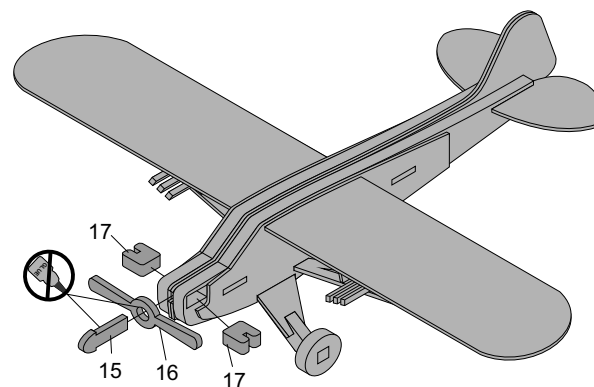
Step 2



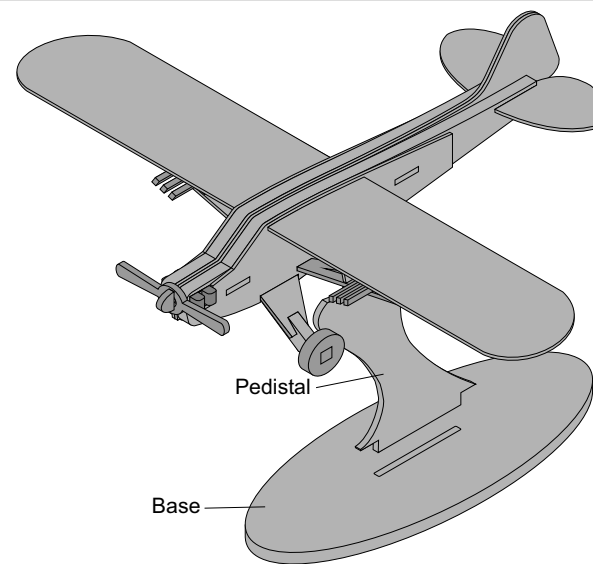
Step 3



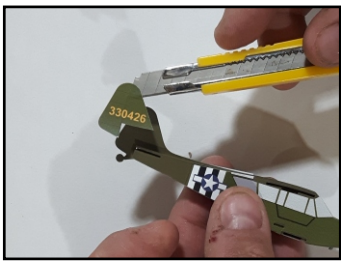
Step 4



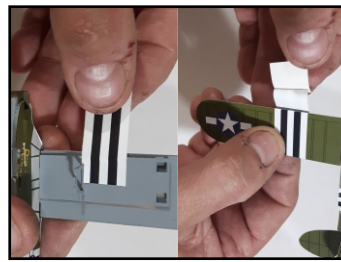
Step 5



Completed model ready for paint and decals



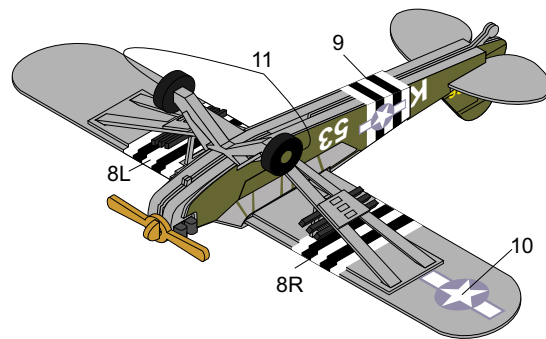
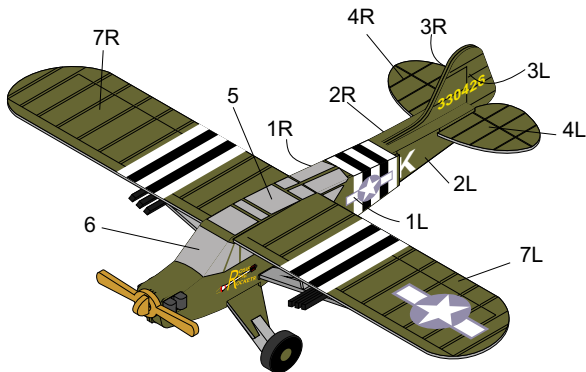
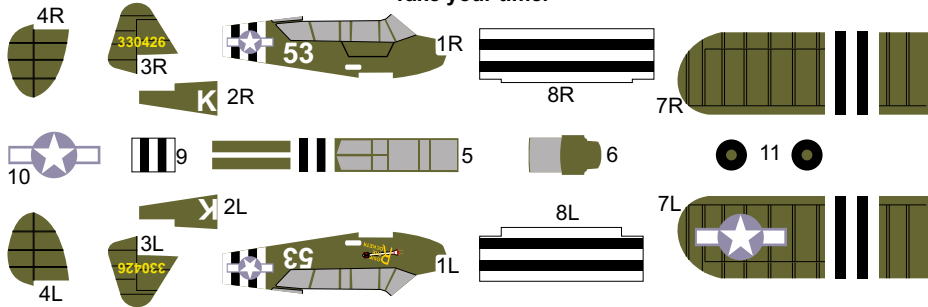
For small decals you may use a small utility knife to remove them from the backing and place in position.



For invasion strips on the wings you will need to remove the wing strut. Start on the bottom, line decal up with front edge of the vertical strut. Wrap it around the wing lining up with the other side.

Decals should be placed into position in numerical order. You will need to remove all wings and struts to apply the side decal.

Take your time.

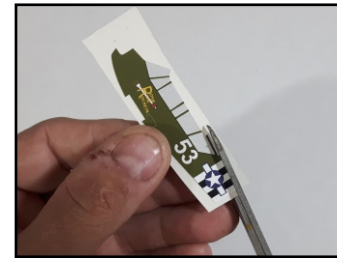


Applying decals

Tools needed to apply decals

- Scissors
- Utility knife

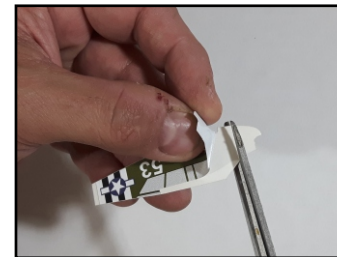
Make sure your hands are clean before applying decals. Avoid contact with the adhesive as this can cause the decal to lose some of its adhesion. Decals will adhere better to a smooth clean surface so we do recommend painting your model for best results.



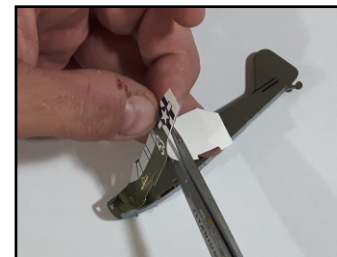
Cut out each decal as close to the edge as possible. Only cut out decals as needed.

Note:

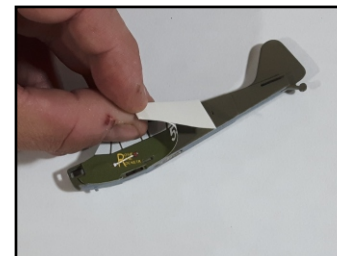
Paint the upper surfaces Olive Drab and the underside flat gray before applying decals.



For the large decals, remove about a 1/4" of the backing and cut off with scissors.



Place the exposed section on the surface making sure that your decal is properly aligned on the part. Peel and cut backing off in stages.

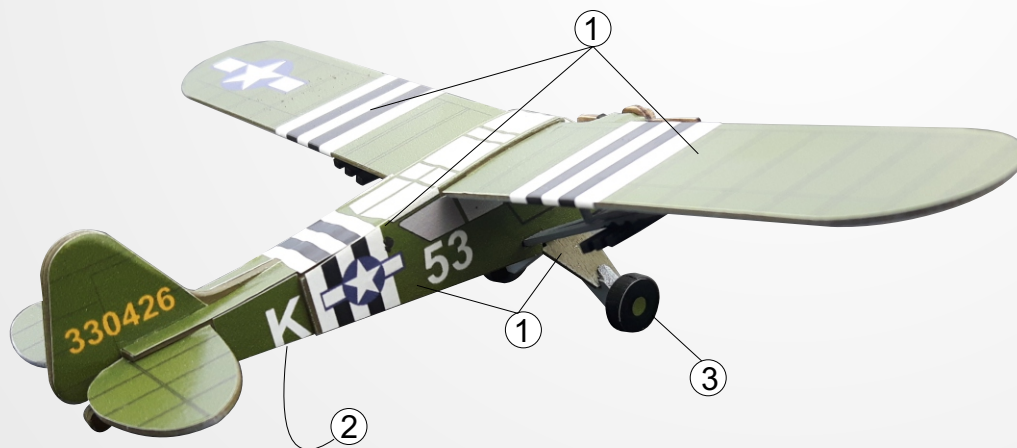
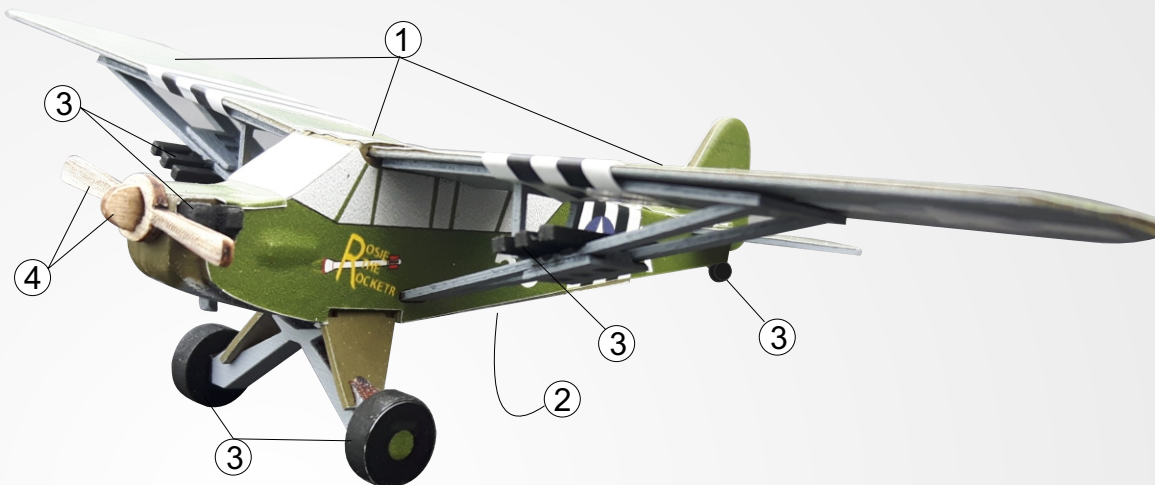


Slowly remove the backing making sure the decal is staying aligned on the surface.

Colour Scheme of Rosie The Rocketeer

Suggested colours:

- 1 **Olive Drab** 1165 Testors Model Paint
All upper surfaces
- 2 **Flat Gray** 1163 Testors Model Paint
All underside surfaces
- 3 **Black** 1147 Model Paint
Wheels, Engine, Rocket Launchers
- 4 **Flat Brown** 1166 Testors Model Paint
Propeller



Note:

Model should be painted before adding decals. All upper surfaces should be Olive Drab. Underside surfaces flat gray.